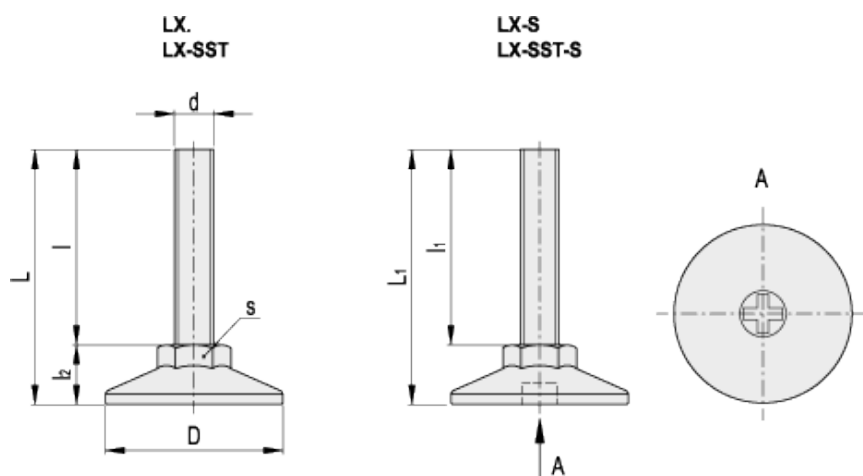


LX

Polohovací nohy



INOX
Stainless Steel



Technické informace

Základna

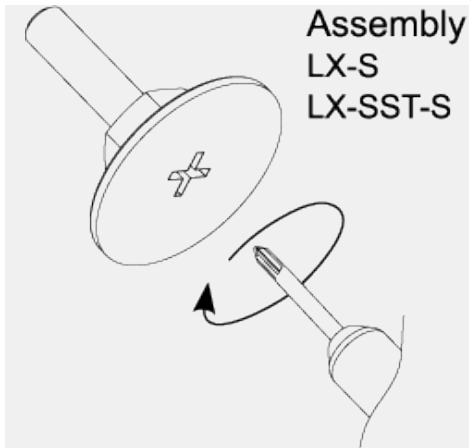
Technopolymer na bázi polyamidu (PA) s nastavitelným šestihranem. Odolnost proti vlivu rozpouštědel, olejů, mazadel a jiných chemických látek.

Barva

Černá, matný povrch.

Standardní provedení

- LX: nastavovací šroub z pozinkované oceli se závitem.
- LX-S: nastavovací šroub z pozinkované oceli se závitem, základna pro křížový šroubovák.
- LX-SST: nastavovací šroub z nerezové oceli AISI 304 se závitem.
- LX-SST-S: nastavovací šroub z nerezové oceli AISI 304 se závitem, základna pro křížový šroubovák.



Standardní provedení				Hlavní rozměry								Max. statické zatížení *	Hmotnost
				LX									
Kód	Označení	Kód	Označení	D	d	l ₂	s	L	l	L ₁	l ₁	[N]	g
431001	LX.25-SW13-M6x24	431001-S	LX.25-SW13-M6x26-S	25	M6	11	13	35	24	37	26	1500	75
431003	LX.25-SW13-M6x34	431003-S	LX.25-SW13-M6x36-S	25	M6	11	13	45	34	47	36	1500	77
431005	LX.25-SW13-M6x54	431005-S	LX.25-SW13-M6x56-S	25	M6	11	13	65	54	67	56	1500	86
431007	LX.25-SW13-M6x62	431007-S	LX.25-SW13-M6x64-S	25	M6	11	13	73	62	75	64	1500	88
431011	LX.25-SW13-M8x17	431011-S	LX.25-SW13-M8x19-S	25	M8	11	13	28	17	30	19	2500	82
431013	LX.25-SW13-M8x22	431013-S	LX.25-SW13-M8x24-S	25	M8	11	13	33	22	35	24	2500	87
431015	LX.25-SW13-M8x32	431015-S	LX.25-SW13-M8x34-S	25	M8	11	13	43	32	45	34	2500	91
431017	LX.25-SW13-M8x52	431017-S	LX.25-SW13-M8x54-S	25	M8	11	13	63	52	65	54	2500	105
431019	LX.25-SW13-M8x72	431019-S	LX.25-SW13-M8x74-S	25	M8	11	13	83	72	85	74	2500	120
431051	LX.30-SW17-M6x22	431051-S	LX.30-SW17-M6x24-S	30	M6	12	17	34	22	36	24	1500	77
431053	LX.30-SW17-M6x32	431053-S	LX.30-SW17-M6x34-S	30	M6	12	17	44	32	46	34	1500	80
431055	LX.30-SW17-M6x52	431055-S	LX.30-SW17-M6x54-S	30	M6	12	17	64	52	66	54	1500	81
431057	LX.30-SW17-M8x16	431057-S	LX.30-SW17-M8x18-S	30	M8	12	17	28	16	30	18	2500	83
431059	LX.30-SW17-M8x21	431059-S	LX.30-SW17-M8x23-S	30	M8	12	17	33	21	35	23	2500	87
431061	LX.30-SW17-M8x31	431061-S	LX.30-SW17-M8x33-S	30	M8	12	17	43	31	45	33	2500	90
431063	LX.30-SW17-M8x51	431063-S	LX.30-SW17-M8x53-S	30	M8	12	17	63	51	65	53	2500	100
431065	LX.30-SW17-M8x71	431065-S	LX.30-SW17-M8x73-S	30	M8	12	17	83	71	85	73	2500	110
431067	LX.30-SW17-M10x16	431067-S	LX.30-SW17-M10x18-S	30	M10	12	17	28	16	30	18	3000	88
431069	LX.30-SW17-M10x21	431069-S	LX.30-SW17-M10x23-S	30	M10	12	17	33	21	35	23	3000	92
431071	LX.30-SW17-M10x31	431071-S	LX.30-SW17-M10x33-S	30	M10	12	17	43	31	45	33	3000	95

431073	LX.30-SW17-M10x41	431073-S	LX.30-SW17-M10x43-S	30M10	12	17	53	41	55	43		3000	97
431075	LX.30-SW17-M10x51	431075-S	LX.30-SW17-M10x53-S	30M10	12	17	63	51	65	53		3000	105
431077	LX.30-SW17-M10x61	431077-S	LX.30-SW17-M10x63-S	30M10	12	17	73	61	75	63		3000	109
431079	LX.30-SW17-M10x71	431079-S	LX.30-SW17-M10x73-S	30M10	12	17	83	71	85	73		3000	116
431031	LX.40-SW17-M8x12	431031-S	LX.40-SW17-M8x14-S	40	M8	13	17	24.5	11.5	26.5	13.5	2500	127
431033	LX.40-SW17-M8x20	431033-S	LX.40-SW17-M8x22-S	40	M8	13	17	32.5	19.5	34.5	21.5	2500	133
431035	LX.40-SW17-M8x30	431035-S	LX.40-SW17-M8x32-S	40	M8	13	17	42.5	29.5	44.5	31.5	2500	137
431037	LX.40-SW17-M8x50	431037-S	LX.40-SW17-M8x52-S	40	M8	13	17	62.5	49.5	64.5	51.5	2500	151
431039	LX.40-SW17-M8x70	431039-S	LX.40-SW17-M8x72-S	40	M8	13	17	82.5	69.5	84.5	71.5	2500	167
431041	LX.40-SW17-M10x20	431041-S	LX.40-SW17-M10x22-S	40M10	13	17	32.5	19.5	34.5	21.5		3000	144
431042	LX.40-SW17-M10x30	431042-S	LX.40-SW17-M10x32-S	40M10	13	17	42.5	29.5	44.5	31.5		3000	155
431043	LX.40-SW17-M10x40	431043-S	LX.40-SW17-M10x42-S	40M10	13	17	52.5	39.5	54.5	41.5		3000	165
431044	LX.40-SW17-M10x50	431044-S	LX.40-SW17-M10x52-S	40M10	13	17	62.5	49.5	64.5	51.5		3000	185
431045	LX.40-SW17-M10x60	431045-S	LX.40-SW17-M10x62-S	40M10	13	17	72.5	59.5	74.5	61.5		3000	198
431046	LX.40-SW17-M10x70	431046-S	LX.40-SW17-M10x72-S	40M10	13	17	82.5	69.5	84.5	71.5		3000	206
431049	LX.40-SW17-M10x100	431049-S	LX.40-SW17-M10x102-S	40M10	13	17	112.5	99.5	114.5	101.5		3000	295
431047	LX.40-SW17-M12x50	431047-S	LX.40-SW17-M12x52-S	40M12	13	17	62.5	49.5	64.5	51.5		5000	195
431048	LX.40-SW17-M12x70	431048-S	LX.40-SW17-M12x72-S	40M12	13	17	82.5	69.5	84.5	71.5		5000	216
431050	LX.40-SW17-M12x100	431050-S	LX.40-SW17-M12x102-S	40M12	13	17	112.5	99.5	114.5	101.5		5000	305
431081	LX.50-SW19-M10x46	431081-S	LX.50-SW19-M10x48-S	50M10	17	19	62.5	45.5	64.5	47.5		3000	180
431082	LX.50-SW19-M10x66	431082-S	LX.50-SW19-M10x68-S	50M10	17	19	82.5	65.5	84.5	67.5		3000	206
431083	LX.50-SW19-M10x96	431083-S	LX.50-SW19-M10x98-S	50M10	17	19	112.5	95.5	114.5	97.5		3000	296
431084	LX.50-SW19-M12x46	431084-S	LX.50-SW19-M12x48-S	50M12	17	19	62.5	45.5	64.5	47.5		5000	196
431085	LX.50-SW19-M12x66	431085-S	LX.50-SW19-M12x68-S	50M12	17	19	82.5	65.5	84.5	67.5		5000	216
431086	LX.50-SW19-M12x96	431086-S	LX.50-SW19-M12x98-S	50M12	17	19	112.5	95.5	114.5	97.5		5000	306
431091	LX.60-SW24-M12x44	431091-S	LX.60-SW24-M12x46-S	60M12	19	24	62.5	43.5	64.5	45.5		5000	201
431092	LX.60-SW24-M12x64	431092-S	LX.60-SW24-M12x66-S	60M12	19	24	82.5	63.5	84.5	65.5		5000	220
431093	LX.60-SW24-M12x94	431093-S	LX.60-SW24-M12x96-S	60M12	19	24	112.5	93.5	114.5	95.5		5000	310
431094	LX.60-SW24-M16x64	431094-S	LX.60-SW24-M16x66-S	60M16	19	24	82.5	63.5	84.5	65.5		7500	240

431095	LX.60-SW24-M16x104	431095-S	LX.60-SW24-M16x106-S	60	M16	19	24	122.5	103.5	124.5	105.5	7500	328
431096	LX.60-SW24-M16x144	431096-S	LX.60-SW24-M16x146-S	60	M16	19	24	162.5	143.5	164.5	145.5	7500	408
Standardní provedení				Hlavní rozměry								Max. statické zatížení *	Hmotnost
				LX									
Kód	Označení	Kód	Označení	D	d	l ₂	s	L	l	L ₁	l ₁	[N]	g
431101	LX.25-SW13-SST-M6x24	431101-S	LX.25-SW13-SST-M6x26-S	25	M6	11	13	35	24	37	26	1500	75
431103	LX.25-SW13-SST-M6x34	431103-S	LX.25-SW13-SST-M6x36-S	25	M6	11	13	45	34	47	36	1500	77
431105	LX.25-SW13-SST-M6x54	431105-S	LX.25-SW13-SST-M6x56-S	25	M6	11	13	65	54	67	56	1500	86
431113	LX.25-SW13-SST-M8x22	431113-S	LX.25-SW13-SST-M8x24-S	25	M6	11	13	35	24	37	26	1500	75
431115	LX.25-SW13-SST-M8x32	431115-S	LX.25-SW13-SST-M8x34-S	25	M8	11	13	43	32	45	34	2500	87
431117	LX.25-SW13-SST-M8x52	431117-S	LX.25-SW13-SST-M8x54-S	25	M8	11	13	63	52	65	54	2500	105
431151	LX.30-SW17-SST-M6x22	431151-S	LX.30-SW17-SST-M6x24-S	30	M6	12	17	34	22	36	24	1500	77
431153	LX.30-SW17-SST-M6x32	431153-S	LX.30-SW17-SST-M6x34-S	30	M6	12	17	44	32	46	34	1500	80
431155	LX.30-SW17-SST-M6x52	431155-S	LX.30-SW17-SST-M6x54-S	30	M6	12	17	64	52	66	54	1500	81
431159	LX.30-SW17-SST-M8x21	431159-S	LX.30-SW17-SST-M8x23-S	30	M8	12	17	33	21	35	23	2500	87
431161	LX.30-SW17-SST-M8x31	431161-S	LX.30-SW17-SST-M8x33-S	30	M8	12	17	43	31	45	33	2500	90
431163	LX.30-SW17-SST-M8x51	431163-S	LX.30-SW17-SST-M8x53-S	30	M8	12	17	63	51	65	53	2500	100
431171	LX.30-SW17-SST-M10x31	431171-S	LX.30-SW17-SST-M10x33-S	30	M10	12	17	43	31	45	33	3000	95
431175	LX.30-SW17-SST-M10x51	431175-S	LX.30-SW17-SST-M10x53-S	30	M10	12	17	63	51	65	53	3000	105
431179	LX.30-SW17-SST-M10x71	431179-S	LX.30-SW17-SST-M10x73-S	30	M10	12	17	83	71	85	73	3000	116
431133	LX.40-SW17-SST-M8x20	431133-S	LX.40-SW17-SST-M8x22-S	40	M8	13	17	32.5	19.5	34.5	21.5	2500	133
431135	LX.40-SW17-SST-M8x30	431135-S	LX.40-SW17-SST-M8x32-S	40	M8	13	17	42.5	29.5	44.5	31.5	2500	137
431137	LX.40-SW17-SST-M8x50	431137-S	LX.40-SW17-SST-M8x52-S	40	M8	13	17	62.5	49.5	64.5	51.5	2500	151
431142	LX.40-SW17-SST-M10x30	431142-S	LX.40-SW17-SST-M10x32-S	40	M10	13	17	42.5	29.5	44.5	31.5	3000	144
431144	LX.40-SW17-SST-M10x50	431144-S	LX.40-SW17-SST-M10x52-S	40	M10	13.5	17	62.5	49.5	64.5	51.5	3000	185
431146	LX.40-SW17-SST-M10x70	431146-S	LX.40-SW17-SST-M10x72-S	40	M10	13	17	82.5	69.5	84.5	71.5	3000	206
431148	LX.40-SW17-SST-M12x50	431148-S	LX.40-SW17-SST-M12x52-S	40	M12	13	17	62.5	49.5	64.5	51.5	5000	195
431149	LX.40-SW17-SST-M12x70	431149-S	LX.40-SW17-SST-M12x72-S	40	M12	13	17	82.5	69.5	84.5	71.5	5000	216
431150	LX.40-SW17-SST-M12x100	431150-S	LX.40-SW17-SST-M12x102-S	40	M12	13	17	112.5	99.5	114.5	101.5	5000	305
431181	LX.50-SW19-SST-M10x46	431181-S	LX.50-SW19-SST-M10x48-S	50	M10	17	19	62.5	45.5	64.5	47.5	3000	180

431182	LX.50-SW19-SST-M10x66	431182-S	LX.50-SW19-SST-M10x68-S	50M10	17	19	82.5	65.5	84.5	67.5	3000	206
431183	LX.50-SW19-SST-M10x96	431183-S	LX.50-SW19-SST-M10x98-S	50M10	17	19	112.5	95.5	114.5	97.5	3000	296
431184	LX.50-SW19-SST-M12x46	431184-S	LX.50-SW19-SST-M12x48-S	50M12	17	19	62.5	45.5	64.5	47.5	5000	196
431185	LX.50-SW19-SST-M12x66	431185-S	LX.50-SW19-SST-M12x68-S	50M12	17	19	82.5	65.5	84.5	67.5	5000	216
431186	LX.50-SW19-SST-M12x96	431186-S	LX.50-SW19-SST-M12x98-S	50M12	17	19	112.5	95.5	114.5	97.5	5000	306
431191	LX.60-SW24-SST-M12x44	431191-S	LX.60-SW24-SST-M12x46-S	60M12	19	24	62.5	43.5	64.5	45.5	5000	201
431192	LX.60-SW24-SST-M12x64	431192-S	LX.60-SW24-SST-M12x66-S	60M12	19	24	82.5	63.5	84.5	65.5	5000	220
431193	LX.60-SW24-SST-M12x94	431193-S	LX.60-SW24-SST-M12x96-S	60M12	19	24	112.5	93.5	114.5	95.5	5000	310
431194	LX.60-SW24-SST-M16x64	431194-S	LX.60-SW24-SST-M16x66-S	60M16	19	24	82.5	63.5	84.5	65.5	7500	240
431195	LX.60-SW24-SST-M16x104	431195-S	LX.60-SW24-SST-M16x106-S	60M16	19	24	122.5	103.5	124.5	105.5	7500	328
431196	LX.60-SW24-SST-M16x144	431196-S	LX.60-SW24-SST-M16x146-S	60M16	19	24	162.5	143.5	164.5	145.5	7500	408



Vzory ELESA a GANTER jsou chráněny registrovanou ochrannou známkou. Při reprodukci výkresů uvádějte zdroj.

STANDARD MACHINE ELEMENTS WORLDWIDE