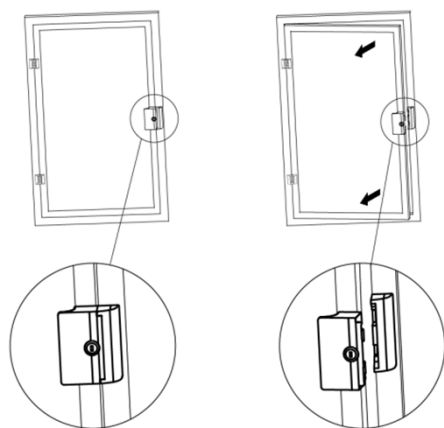


## Door lock handles with/without built-in lock

**To handle, lock and close:  
three functions in a single  
component.**



### Application example



The new ELESA handles **ESC** series have a built-in locking device which keeps the door locked in the closed position. The handle is able to compensate for any misalignment of the door bringing it back to the correct position while closing, thanks to the built-in guides of the locking device.

The handle installation is very simple by means of screws and nuts, thanks to its positioning outside the door.

Furthermore, the rear fastening makes the handle tamperproof from the outside.

Three standard executions available:

- **ESC**: handle without lock.
- **ESCK**: handle with lock with different combinations.
- **ESCKU**: handle with lock with only one combination.

**ESC** handles are made out of glass-fibre reinforced polyamide based technopolymer.

The stator and rotor of the lock are made out of nickel-plated zinc alloy.

The handle dimensions are such as to allow the assembly on profiles with a minimum size of 25 mm and a maximum of 40 mm.

The handle length is 90 mm.

Under specific tests the handle has always maintained unchanged performance for over 40000 cycles.

Product technical data sheet, along with drawings and tables with codes and dimensions, is available on the web site [www.elesa-ganter.com](http://www.elesa-ganter.com).



Contact: Luigi Bordoni  
Phone: +39 039 28.111  
E-mail: [luigi.bordoni@elesa.com](mailto:luigi.bordoni@elesa.com)

Elesa S.p.A.  
Via Pompei, 29 – 20900 Monza  
Italy  
Tel. +39 039 28 111  
fax +39 039 83 63 51

[www.elesa-ganter.com](http://www.elesa-ganter.com)  
[info@elesa-ganter.com](mailto:info@elesa-ganter.com)